

WS-12

High accuracy and reliability



**Pro
Line**

- High accuracy sensor
- Contact free sensing elements
- Excellent reliability
- Stainless steel and polycarbonate UV-resistant design
- RS422 and NMEA0183 output

FEATURES

The basic marine cup and vane anemometer WS-12 is a combined instrument for wind speed and direction. It can measure relative wind speed and relative wind direction.

With NMEA output it can be connected to one of the AlphaLine repeaters, displaying your wind information with the integrated AlphaWind application.



IN THE BOX

Sensor

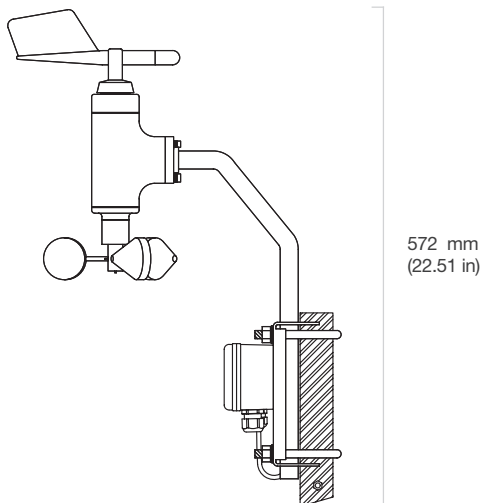
Optional
AlphaLine Repeater display



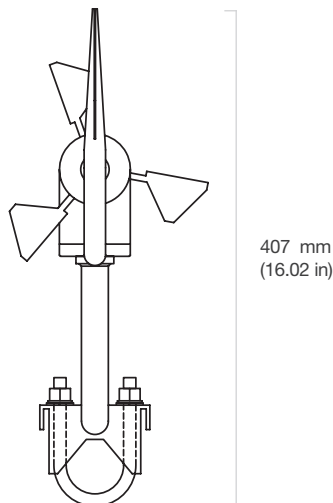
SPECS

Wind speed & direction sensor RoHS

WS-12 Weight 8 kg (17.63 lbs)



572 mm
(22.51 in)



407 mm
(16.02 in)

- Wind direction accuracy $\pm 0,1^\circ$
- Wind range 0-359°
- Speed accuracy 0.1 m/s
- Speed range 0-60 m/s
- Startup wind speed ≤ 0.5 m/s
- Power supply 24V DC/ 0.2A
- Operating temperature -15 to +85°C
- Storage temperature -20 to +85°C
- Protection IP56